

ELIT

Freestanding air-termination 4m with HVC and

Freestanding air-termination pole in A2 stainless steel with HVC conductor and side termination

Technical description

Freestanding air-termination set 4.0 m long with lateral termination rod 2.0 m long and HVC flange, including stand and concrete foundations.

Material and dimensions of the air-termination rod: aluminum, Ø 10 mm, 0.8 m length.

Material and dimensions of the side termination rod: A2 steel/aluminum, Ø 20/16/10 mm, 2.0 m length.

Material and dimensions of the insulating support: Glass fiber reinforced plastic, Ø 48 mm, 1.7 m length.

Material and dimensions of the stand: Stainless A2 steel, Ø 42 mm, 1.5 m length.

Concrete base: 4 x 25 kg.

Footprint: 1350 x 1350 mm.

For wind speeds of 134 km/h according to Eurocode - equivalent to WZ2, GK2-3, max. 20 m construction height.

Manufactured according to EN IEC 62561-2.

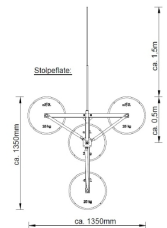
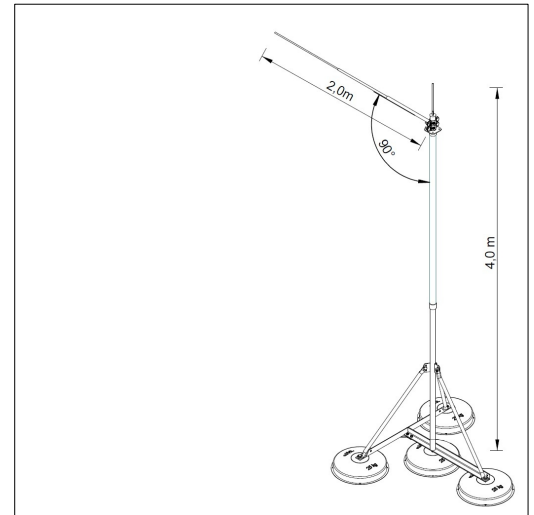
Total weight: Approx. 126 kg.

Advantages:

Freestanding air-termination set 4.0m in stainless A2 steel and w/side termination 2.0m

Comes with HVC flange that enables installation of HVC conductors

Complete set including stand and concrete foundations



Product name/ Art.nr/ GTIN	ELIT FRITT-LOFSETT-4M-90G-HVC/ 40150247/ 7070810040728
According to:	EN IEC 62561-2
Length	4000 Millimetre
Diameter	48 - 10 Millimetre
Model	Interception rod with tripod
Material	Aluminium/stainless steel 304 (V2A)
Surface protection	Hot-dip galvanized
Connection	Round conductor